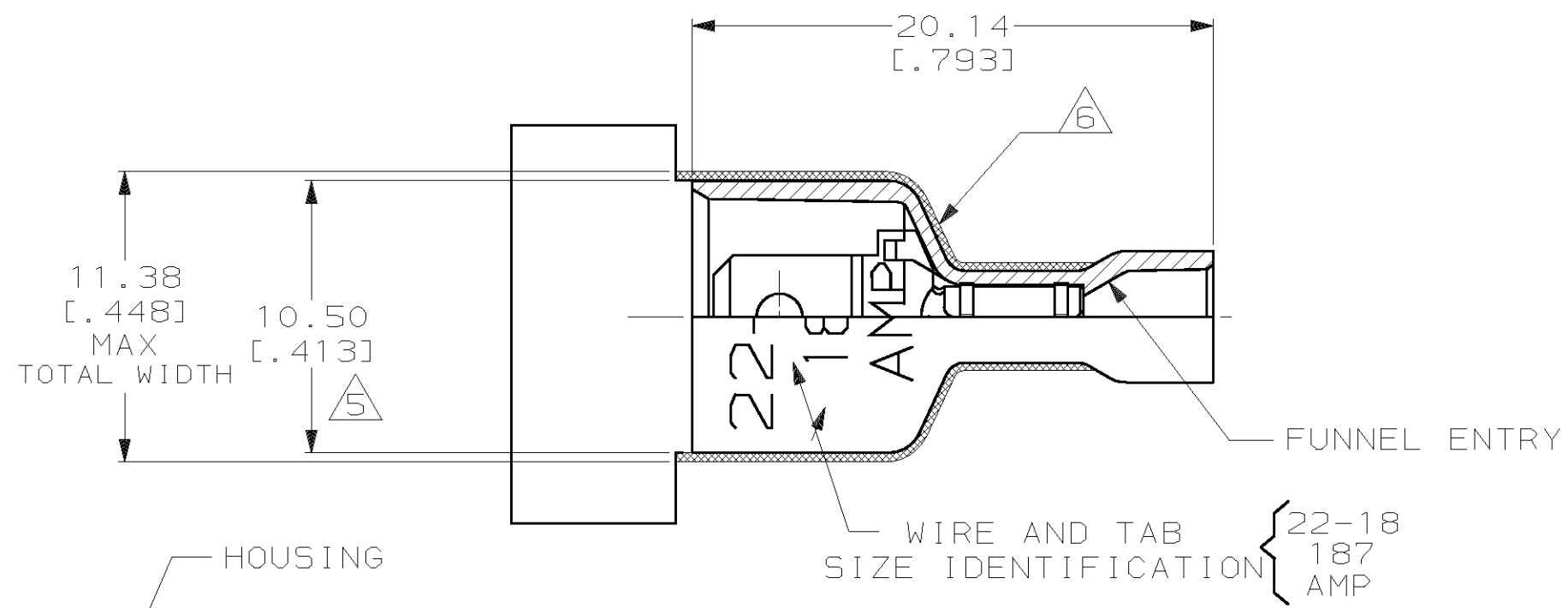
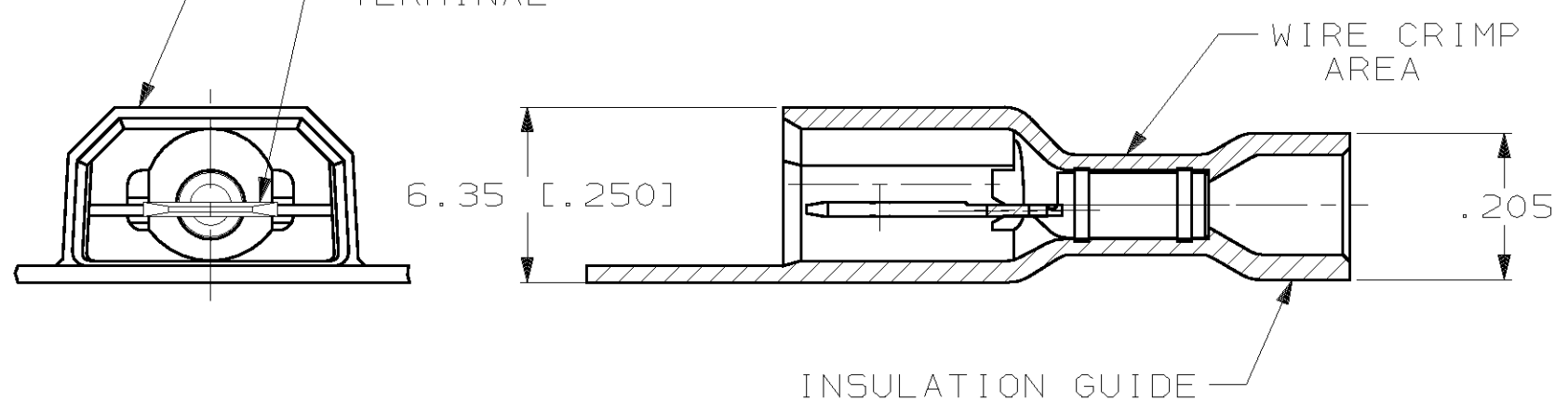


THIS DRAWING IS UNPUBLISHED. RELEASED FOR PUBLICATION ,19 .
 © COPYRIGHT 19 BY AMP INCORPORATED. ALL INTERNATIONAL RIGHTS RESERVED.

LOC AF	DIST 50	P	F	REVISIONS			DATE	APPD
				ZONE	LTR	DESCRIPTION		
					C	REV PER 0G1A-0149-99	3JUN99	JR/JH



- 1 TAB DIMENSIONS .020±.001×.187
- 2 WIRE STRIP LENGTH .281
- 3 INSULATION SIZE .135 MAX DIA
- 4 CONTINUOUS STRIP ON REELS
- 5 DIMENSION DOES NOT INCLUDE TRIM BURR
- 6 .015 MAX CARRIER TRIM BURR PER SIDE IS ALLOWABLE IN THE SHADED AREA



HOUSING: NYLON, COLOR-RED TRANSLUCENT		2-521102-2	
TAB: #3 HARD BRASS, TIN .000080 MIN		PART NO	
MATERIAL & FINISH		AMP INCORPORATED Harrisburg, Pa. 17105	
DO NOT SCALE PRINT. UNLESS SPECIFIED DIMENSIONS ARE IN mm [INCHES] TOLERANCES ON: 2 PLC DEC ± 0.38 [.015] 3 PLC DEC ± - ANGLES ± -	DR 9/25/95 JR RUTH	NAME TAB ASSEMBLY, ULTRA-FAST, 4.75 [.187] SERIES, 22-18 AWG	
MATERIAL SEE TABLE	CHK 9/25/95 MS FEHER		
FINISH SEE TABLE	APPD 9/25/95 J WORMAN	SIZE B	FSCM NO 00779
	APPD 9/25/95 V KARABCIEVSKY	DRAWING NO 521102	
	PRODUCT SPEC 108-2017	SCALE 4:1	SHEET 1 OF 1
	APPLICATION SPEC 114-2123		
	WEIGHT -		